



» CF18 FIXED HARVESTING HEAD

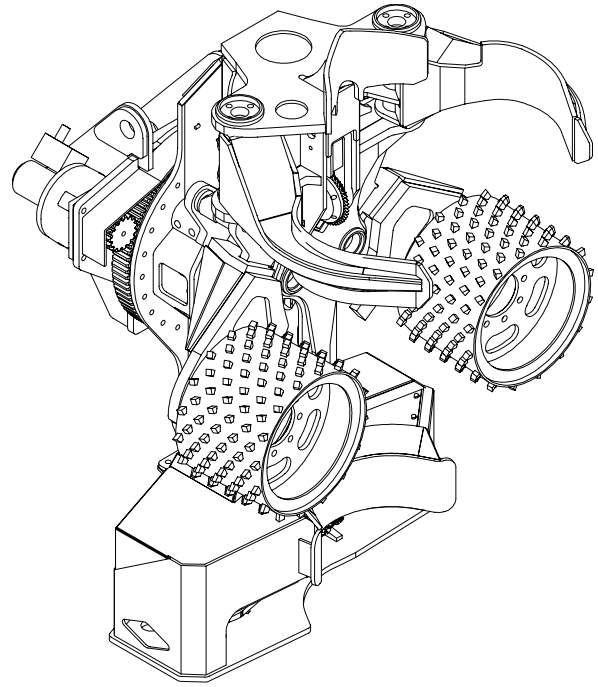
SPECIFICATIONS



The Barko® CF18 Fixed Harvesting Head provides optimal performance on a wide range of harvesting and processing applications. Featuring a patent-pending design equipped with IQAN® control system, onboard valving and center hose routing, the CF18 is precisely engineered for fast and efficient cutting and delimiting.

SPECIFICATIONS

| DIMENSIONS | |
|--|------------------------|
| Overall Height | 83.25" (211 cm) |
| Width (arms open) | 61" (155 cm) |
| Width (arms closed) | 52.5" (133 cm) |
| Total Operating Weight | 5,000 lbs (2,268 kg) |
| HYDRAULICS | |
| System | IQAN |
| Valve Package | Parker® |
| Hydraulic Flow Requirement (minimum) | 80 GPM (302 LPM) |
| Hydraulic Pressure Requirement (maximum) | 4,500 psi (310 bar) |
| ELECTRICAL | |
| Joral Encoders | Non-contact |
| Electrical System Voltage | 24-volt |
| DELIMBING & CUTTING | |
| Delimb Pressure | Adjustable with float |
| Top Delimb Knife | Fixed |
| Movable Delimb Arms | 2 |
| Maximum Knife Opening | 29" (737 mm) |
| Maximum Full Coverage Delimb Diameter | 20" (508 mm) |
| Minimum Full Coverage Delimb Diameter | 4.5" (114 mm) |
| Main Saw - Bar Pitch | 0.75" (19 mm) |
| Bar Length | 33" (838 mm) |
| Maximum Diameter Cut | 24" (610 mm) |
| Maximum Chain Speed | 51 ft/sec (15.5 m/sec) |
| Chain Oil Tank Capacity | 4 gal. (15.1 L) |
| Chain Tensioner | Automatic "Jet Fit" |
| Stump Spray | Optional |



| FEEDING | |
|--------------------------|--|
| Feed Rollers | 2 |
| Feed Roller Motors | 2 |
| Roller Motor Brand | Poclair® MS11 |
| Roller Motor Type | Piston |
| Motor Size | 1,147 cc |
| Maximum Feed Force | 11,792 lbf (52.4 kN) |
| Maximum Feed Speed | 15 ft/sec (4.6 m/sec) |
| Maximum Roller Opening | 18.5" (470 mm) |
| ROTATION | |
| Rotator/Leveler Torque | 11,300 ft-lbf (15,321 Nm) at 2,450 psi (169 bar) |
| Rotator/Leveler Rotation | 360° unlimited |

* Specifications are subject to change.



BARKO HYDRAULICS, LLC

One Banks Ave.
Superior, WI 54880

P: 715.395.6700
info@barko.com | www.barko.com