



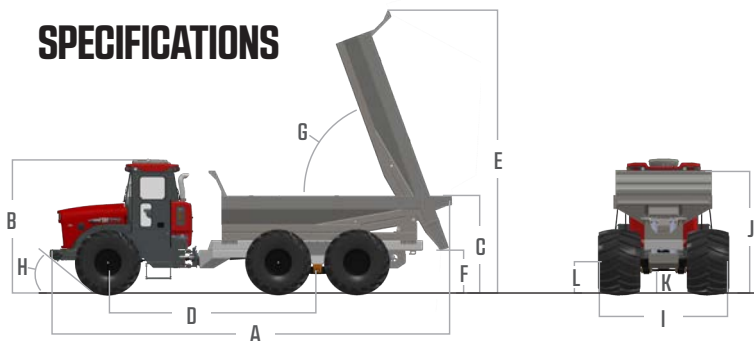
» AMT 600 WITH DUMP BED

SPECIFICATIONS



The 20-ton payload ARDCO® AMT 600 Dump Bed provides 16 yards of material handling capacity, or up to 24 yards with added sideboards. The dump bed can also be easily removed as needed to transform the AMT 600 from an articulating dump truck to a multi-purpose vehicle for other jobsite tasks.

SPECIFICATIONS



DIMENSIONS

A	Overall Length	34' 1" (1,039 cm)
B	Truck Height	11' 5" (348 cm)
C	Bed Height (Rear)	8' 4" (254 cm)
D	Wheel Base	17' 9" (541 cm)
E	Dump Height	24' (732 cm)
F	Dump Ground Clearance	44" (112 cm)
G	Dump Angle	70°
H	Approach/Departure Angle	40°
I	Overall Width	9' (274.3 cm) with 23.5R25 construction tires 11' 1" (338 cm) with 66-43.00 terra tires
J	Bed Height (Front)	10' 5" (318 cm)
K	Ground Clearance	23" (584 mm)
L	Tire Radius	32" (813 mm)

AMT 600 ENGINE

Tier 4 Final / Stage 4	Cummins® QSB 6.7 diesel engine rated at 250 BHP (186 kW) @ 2,200 RPM
Tier 3 (available in limited regions)	Cummins QSB6.7 diesel engine rated at 260 BHP (194 kW) @ 2,200 RPM
Fuel Tank	60 gal. (227 L)

PERFORMANCE - DUMP BED

Dump Payload	40,000 lbs (18,144 kg)
Dump Capacity	16 yd ³ standard 24 yd ³ with side boards
Raise Time	12.5 seconds
Lower Time	13.2 seconds

LOAD CAPACITIES

40,000 lbs Dump Payload

	Load Capacities	Volume/Density	Load Capacities	Volume/Density
	10 yd ³	4,000 lbs/ yd ³	16 yd ³	2,500 lbs/ yd ³
	11.25 yd ³	3,500 lbs/ yd ³	20 yd ³	2,000 lbs/ yd ³
	13.25 yd ³	3,000 lbs/ yd ³	24 yd ³	1,500 lbs/ yd ³

AMT 600 PERFORMANCE

Travel Speed	30 mph (48 kph)
Drive	6-wheel drive with front axle disconnect for 4-wheel drive mode
Transmission	Dana® powershift transmission with twist grip shifter; 3 speed forward, 3 reverse with high and low range
Axles	Heavy-duty AxleTech® rigid planetary front axle with driver controlled differential lock Heavy-duty AxleTech planetary rear axles with inter-axle differential (IAD) Driver controlled differential locks on rear axles and IAD Rear axles mounted to heavy-duty Hendrickson® walking beam suspension system
Steering	Hydraulic articulation steering by double hydraulic cylinders with brake assist option available
Trunnion	Extra-heavy-duty center pivot trunnion with approximately 20° oscillation between front and rear frame
Service Brakes	Pressure-applied hydraulic
Parking Brake	Internal spring-applied hydraulic release disc
Standard Tires	23.5R25 construction tires
Electrical System	12-volt
Batteries	Dual batteries with 800CCA each (1,600 CCA total)

* Specifications are subject to change.

FEATURES & OPTIONS

OPERATOR CAB

2-person fully enclosed, all-weather ROPS cab with all operational controls Bluetooth/AM-FM audio system Heating & air conditioning	Digital gauge cluster with onboard diagnostics, digital maintenance log record, digital machine manual access Front and rear LED work lights
---	---

STANDARD FEATURES

Convenient, easy-to-use universal attachment system	Front LED lights with high and low beams, LED brake lights and directionals
---	---

OPTIONS & ACCESSORIES

Front push blade Front mounted hydraulic winch	Backup camera Air ride seats
---	---------------------------------



ARDCO

6100 Highway 90 West
New Iberia, LA 70560

P: 800.332.7326
info@ardco.com | www.ardcofmg.com

